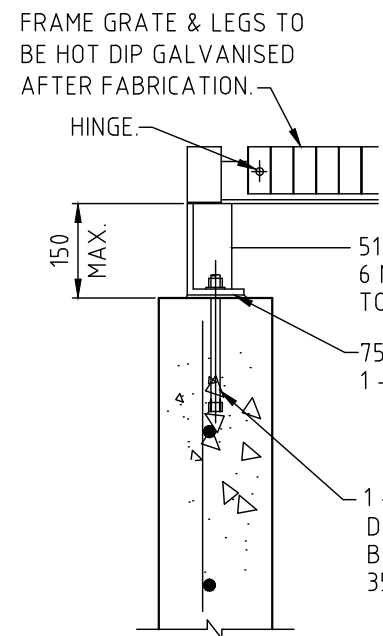
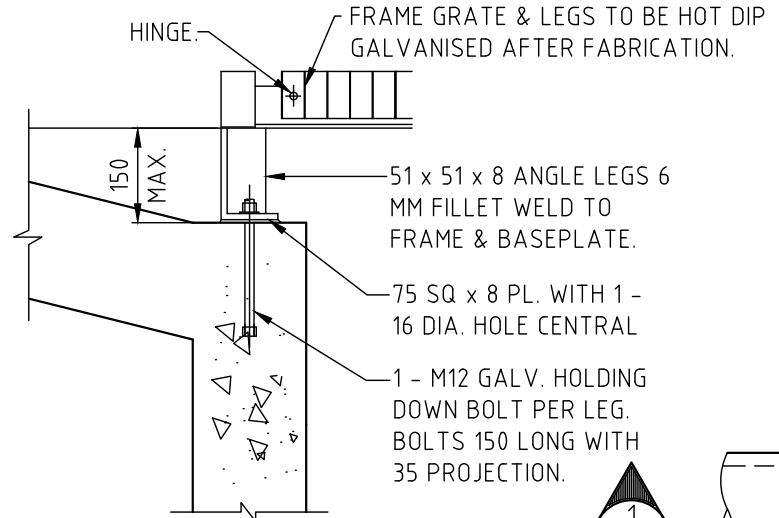


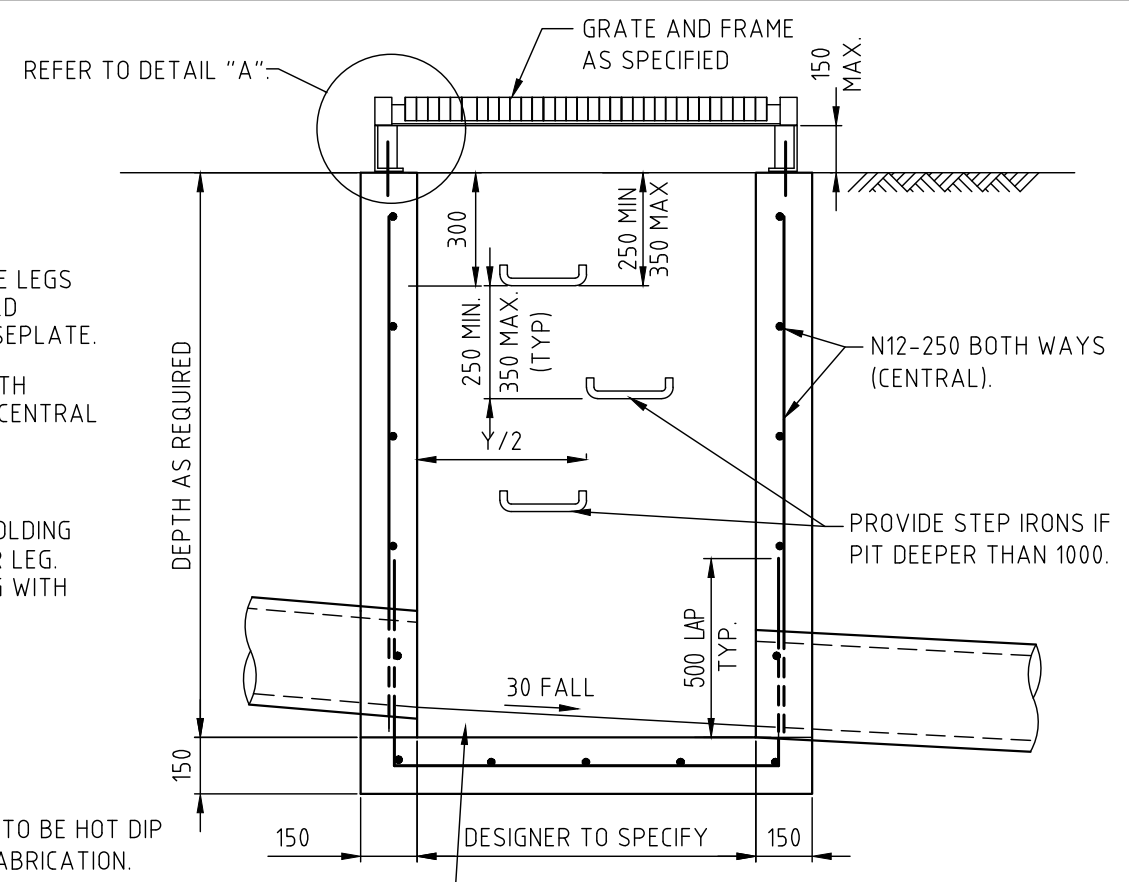
SECTION 1
SCALE 1:20



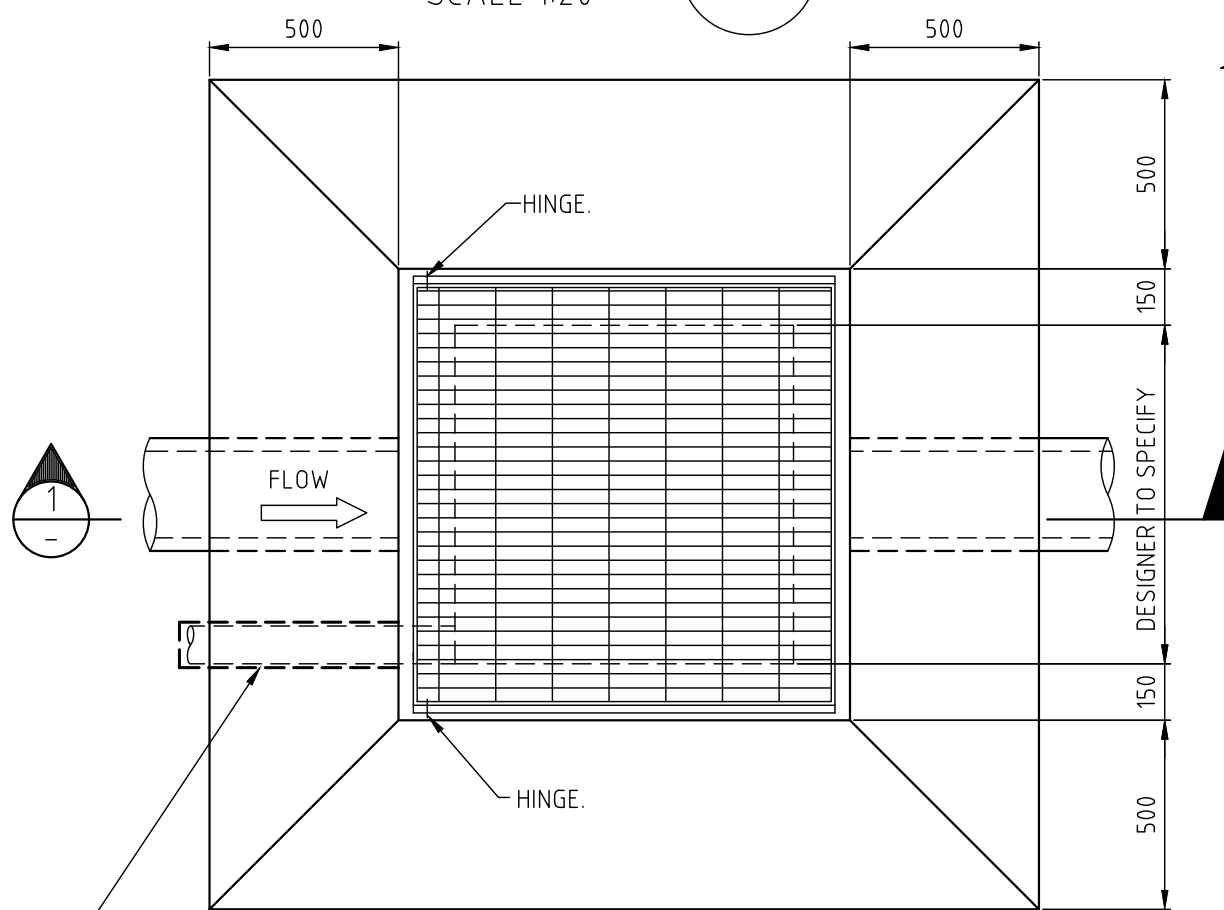
DETAIL "A"
SCALE 1:10



DETAIL "B"
SCALE 1:10

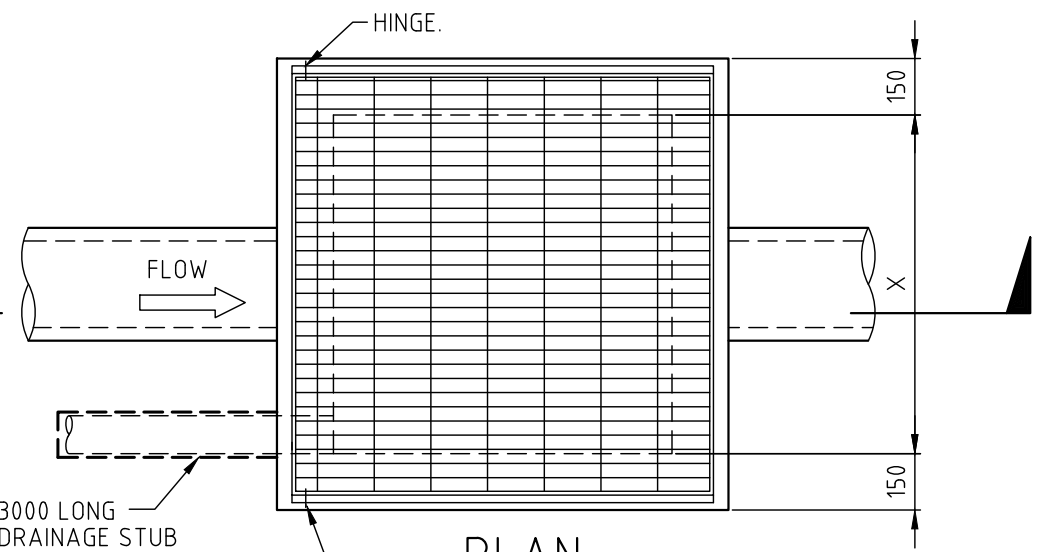


SECTION 1
SCALE 1:20



PLAN
SCALE 1:20
SURCHARGE PIT

REFER DRAWING
SD201 FOR
STORMWATER
PIT NOTES

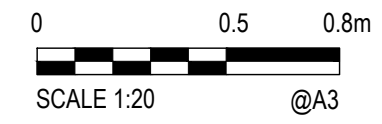


PLAN
SCALE 1:20
LETTERBOX PIT

100 DIA. x 3000 LONG
SUB-SOIL DRAINAGE STUB
SURROUNDED BY 100mm OF NOM
20mm BLUE METAL AND WRAPPED
IN 140 g/m² GEOTEXTILE
FILTER FABRIC.



SURCHARGE AND LETTERBOX PITS



REV. []
DATE: SEPT 2024

DRAWING No.
SD206