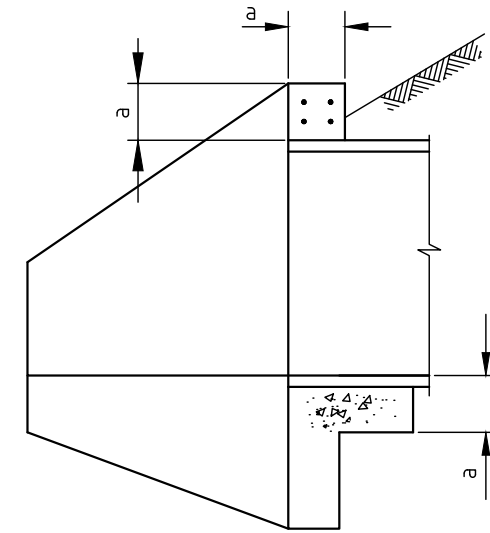


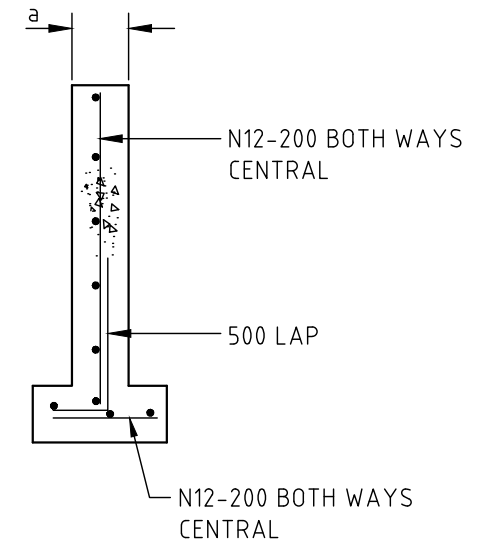
ELEVATION

SCALE 1:20



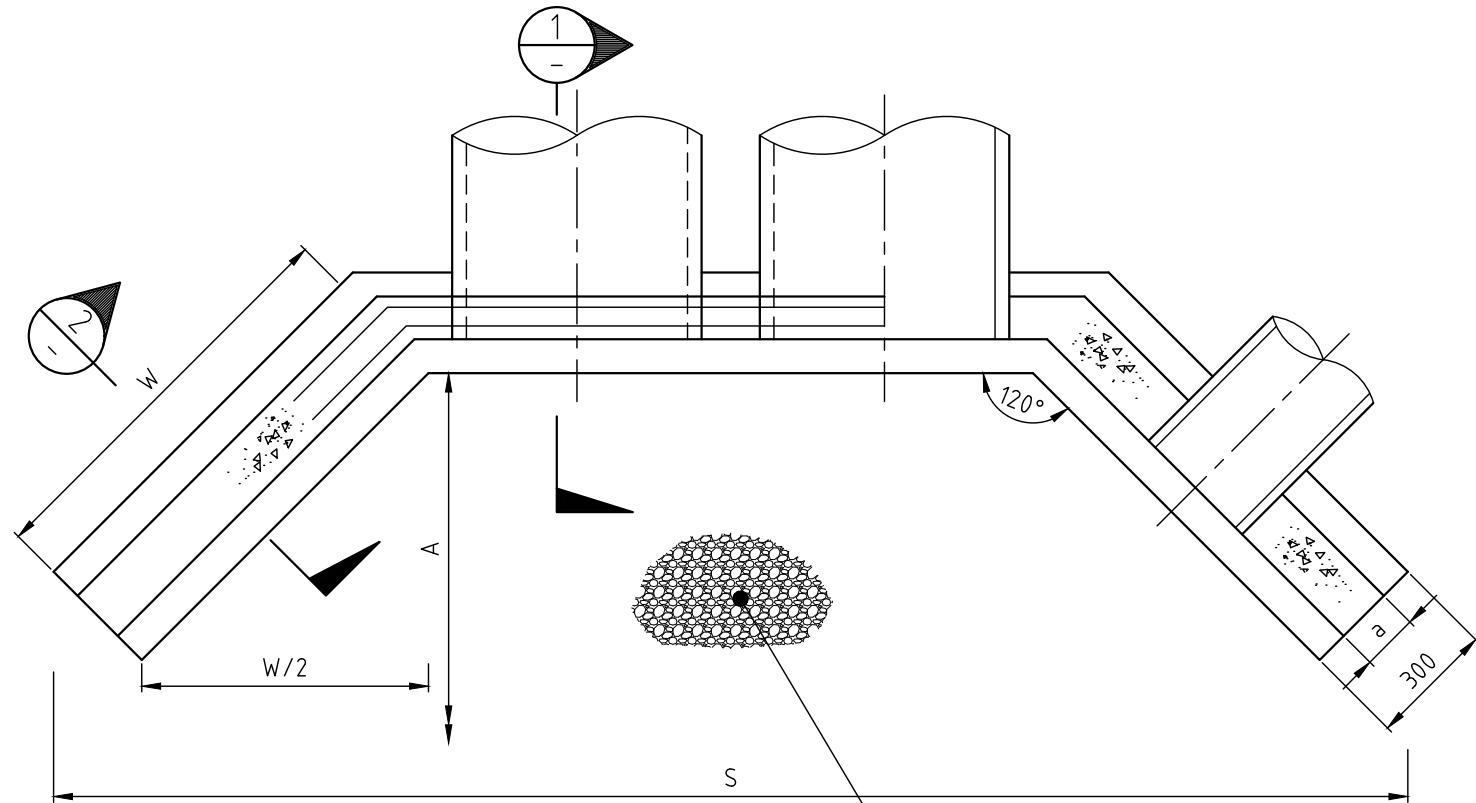
SECTION 1

SCALE 1:20



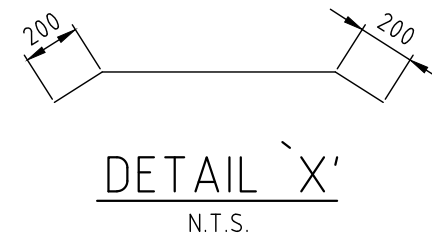
SECTION 2

SCALE 1:20



PLAN

SCALE 1:20



REFER DRAWING
SD201 FOR
CONCRETE NOTES

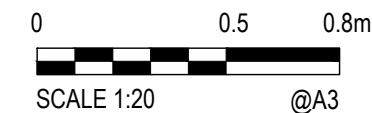
NOTES

- 25mm CHAMFER ON ALL EXPOSED SURFACES.
- PRECAST HEADWALLS TO BE INSTALLED SUBJECT TO COUNCIL APPROVAL.

DIMENSIONS			300	375	450	525	600	750	900
	D	NOMINAL PIPE DIAMETER (mm)		300	375	450	525	600	750
A	APRON DEPTH AT INLET (mm)		2000	2000	2000	2000	2000	3000	3000
A	APRON DEPTH AT OUTLET (mm)		2000	2000	2000	4000	4000	4000	5000
C	HEADWALL LENGTH (mm)		1440	1600	1780	1940	2100	2440	2800
S	APRON WIDTH (mm)		2300	2600	3000	3300	3700	4400	5100
W	WINGWALL LENGTH (mm)		310	480	680	850	1040	1400	1780
a	(mm)		150	150	150	150	150	150	150
b	(mm)		300	300	300	300	400	400	400



CONCRETE HEADWALL - MULTIPLE PIPES



REV.

B

DATE:

SEPT 2024

DRAWING No.

SD211