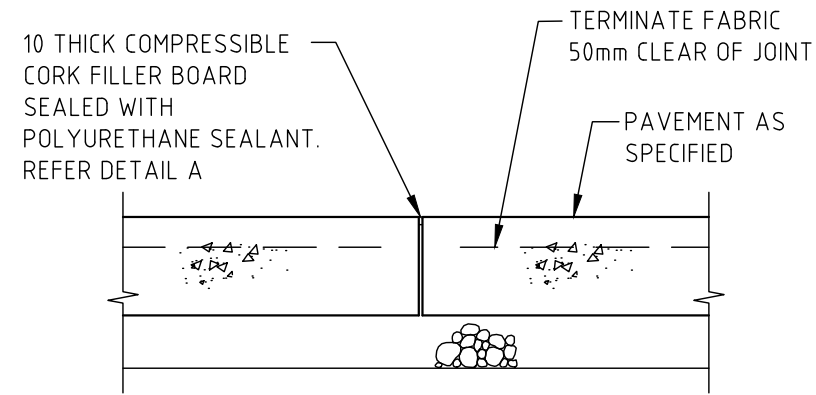
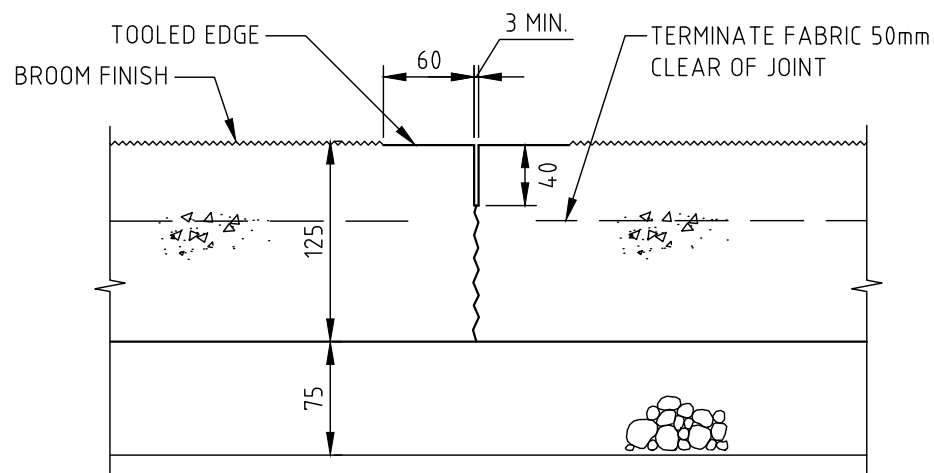
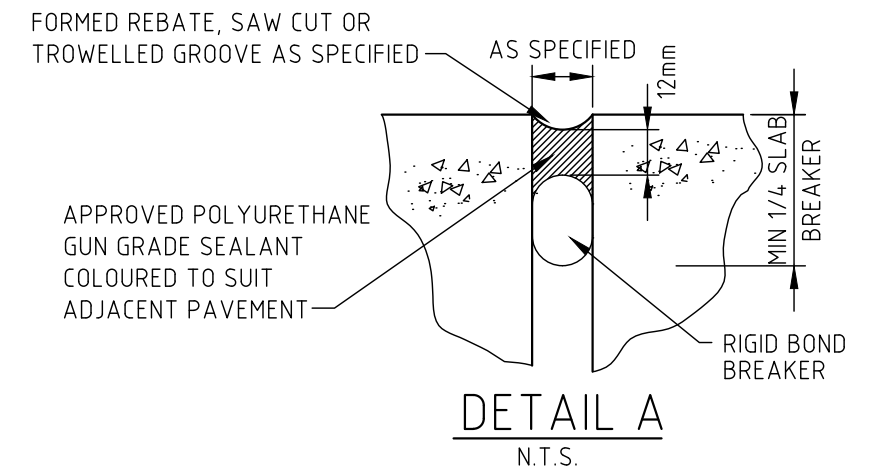


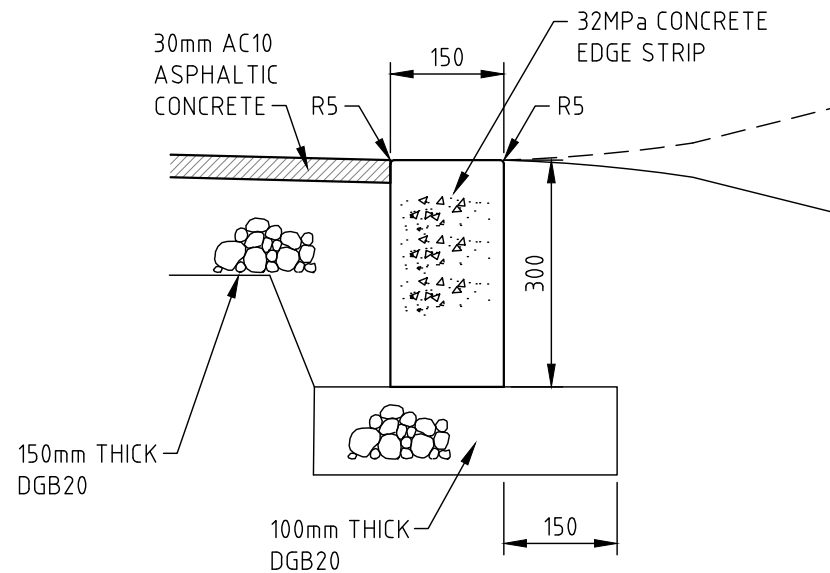
EXPANSION JOINT (EJ)
SCALE 1:10



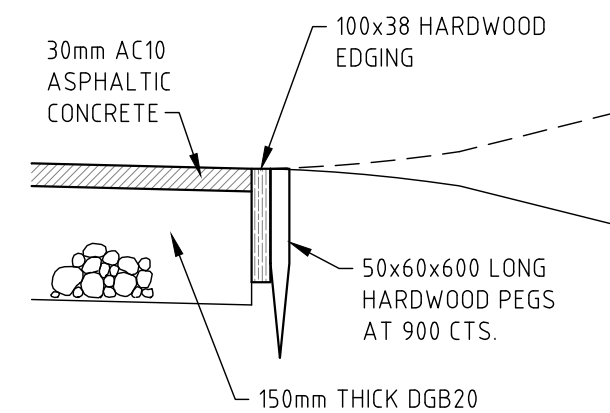
CONSTRUCTION JOINT (CJ)
SCALE 1:10



TOOLED JOINT (TJ)
SCALE 1:5



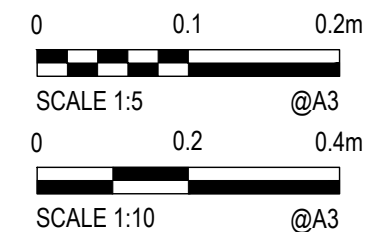
CONCRETE EDGE STRIP
SCALE 1:10



TIMBER EDGE STRIP
SCALE 1:10



SHARED PATHS (SHEET 2 OF 2)



REV. B
DATE: SEPT 2024

DRAWING No. SD107B