

CONCRETE NOTES

- ALL WORKMANSHIP AND MATERIALS SHALL BE IN ACCORDANCE WITH AS 3600 CURRENT EDITION WITH AMENDMENTS, EXCEPT WHERE VARIED BY THE CONTRACT DOCUMENTS.
- CONCRETE QUALITY
ALL REQUIREMENTS OF THE CURRENT ACSE CONCRETE SPECIFICATION DOCUMENT 1 SHALL APPLY TO THE FORMWORK, REINFORCEMENT AND CONCRETE UNLESS NOTED OTHERWISE.

ELEMENT	AS 3600 F'c MPa AT 28 DAYS	SPECIFIED SLUMP	NOMINAL AGG. SIZE
VEHICULAR BASE	32	80	20
KERBS, PATHS, AND PITS	32	80	20

- CEMENT TYPE SHALL BE (ACSE SPECIFICATION) TYPE SL
- PROJECT CONTROL TESTING SHALL BE CARRIED OUT IN ACCORDANCE WITH AS 1379.

3. NO ADMIXTURES SHALL BE USED IN CONCRETE UNLESS APPROVED IN WRITING BY MOSMAN COUNCIL.

4. CLEAR CONCRETE COVER TO ALL REINFORCEMENT FOR DURABILITY SHALL BE 40mm TOP AND 70mm FOR EXTERNAL EDGES UNLESS NOTED OTHERWISE.

5. ALL REINFORCEMENT SHALL BE FIRMLY SUPPORTED ON MILD STEEL PLASTIC TIPPED CHAIRS, PLASTIC CHAIRS OR CONCRETE CHAIRS AT NOT GREATER THAN 1m CENTRES BOTH WAYS. BARS SHALL BE TIED AT ALTERNATE INTERSECTIONS.

6. THE FINISHED CONCRETE SHALL BE A DENSE HOMOGENEOUS MASS, COMPLETELY FILLING THE FORMWORK, THOROUGHLY EMBEDDING THE REINFORCEMENT AND FREE OF STONE POCKETS. ALL CONCRETE INCLUDING SLABS ON GROUND AND FOOTINGS SHALL BE COMPACTED AND CURED IN ACCORDANCE WITH R.T.A. SPECIFICATION R83.

7. REINFORCEMENT SYMBOLS:

- N DENOTES GRADE 450 N BARS TO AS 1302 GRADE N
- R DENOTES 230 R HOT ROLLED PLAIN BARS TO AS 1302
- SL DENOTES HARD-DRAWN WIRE REINFORCING FABRIC TO AS 1304

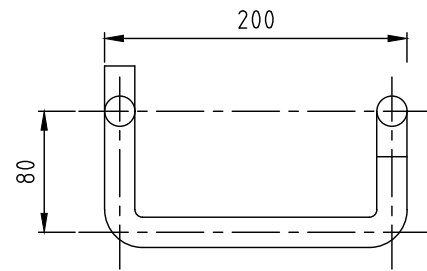
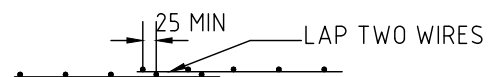
NUMBER OF BARS IN GROUP — BAR GRADE AND TYPE

17 N 20 250

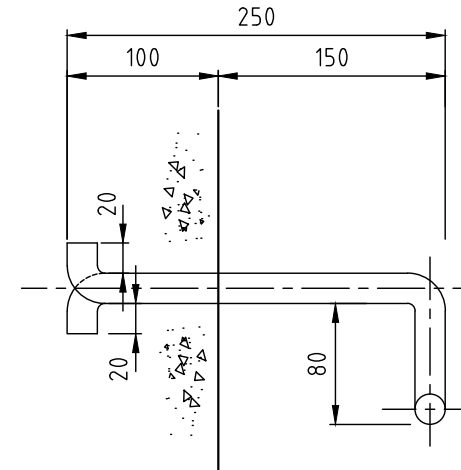
NOMINAL BAR SIZE IN mm — SPACING IN mm THE FIGURE

FOLLOWING THE FABRIC SYMBOL SL IS THE REFERENCE NUMBER FOR FABRIC TO AS 1304.

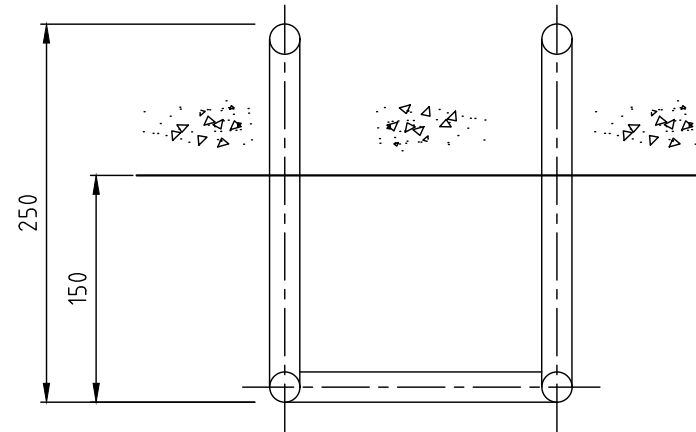
8. FABRIC SHALL BE LAPPED IN ACCORDANCE WITH THE FOLLOWING DETAIL:



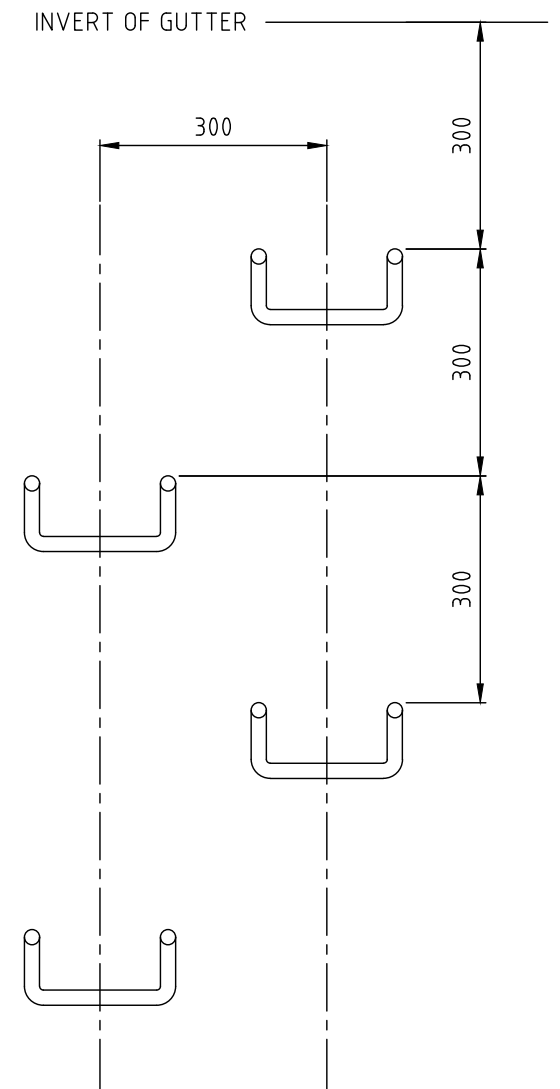
FRONT ELEVATION



SIDE ELEVATION



PLAN



STEP IRON PLACEMENT DIAGRAM

STEP IRON NOTES

- ALL DIMENSIONS ARE IN MILLIMETRES.
- STEP IRONS TO BE FABRICATED FROM $\phi 20$ M.S. BARS.
- ALL BENDS TO BE FORMED AROUND $\phi 12$ PIN.
- STEP IRONS TO BE HOT DIPPED GALVANISED.
- STEP IRONS IN ACCORDANCE WITH AS3500 AND AS1657
- STEP IRONS TO BE PROVIDED IN PITS EXCEEDING 1m DEEP

Mosman
COUNCIL

DRAINAGE PIT NOTES

NOT TO SCALE

REV.

D

DATE:
SEPT 2024

DRAWING No.

SD201