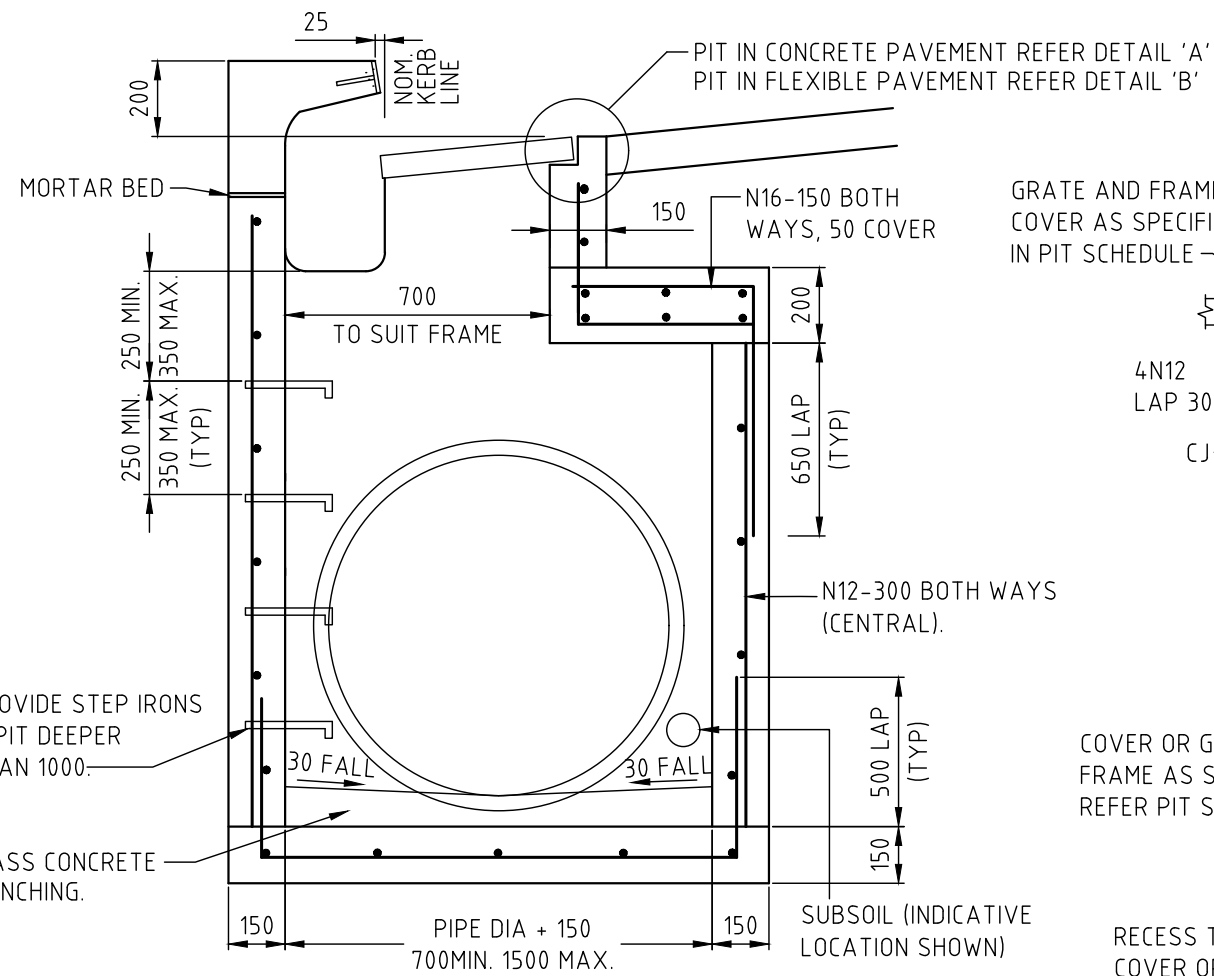
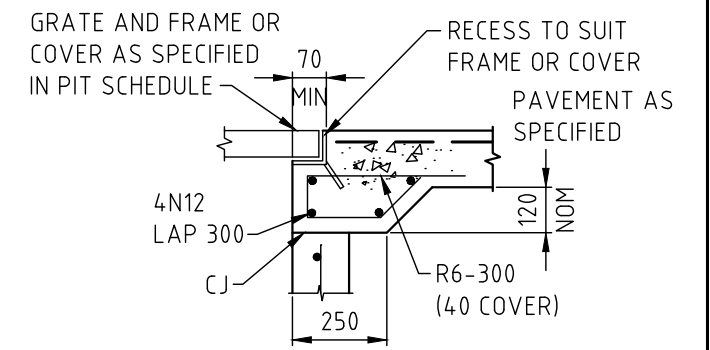


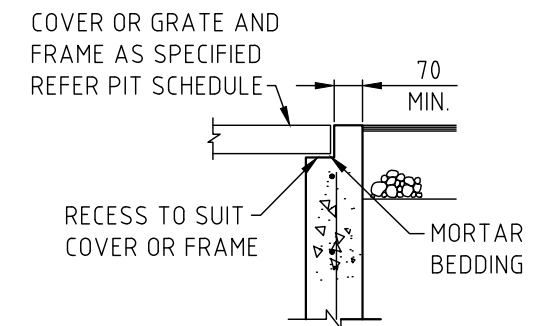
SECTION 1  
SCALE 1:20



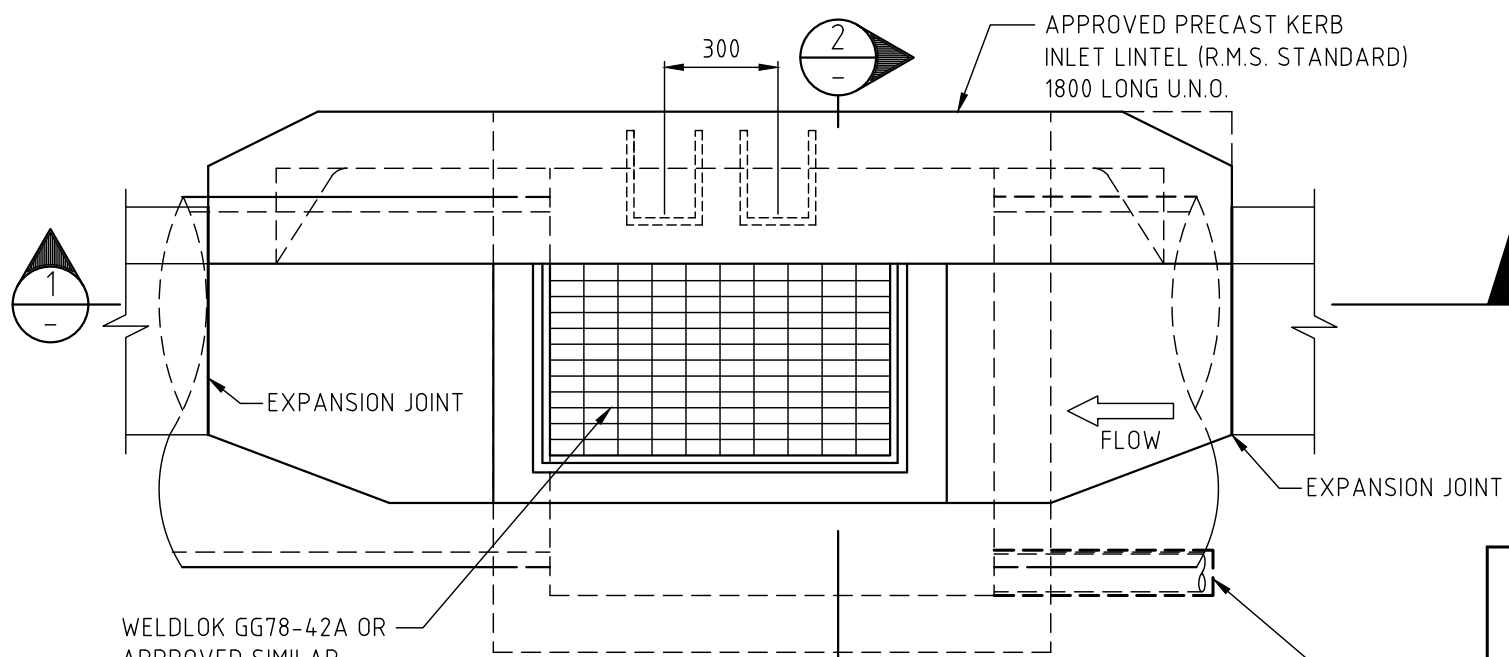
SECTION 2  
SCALE 1:20



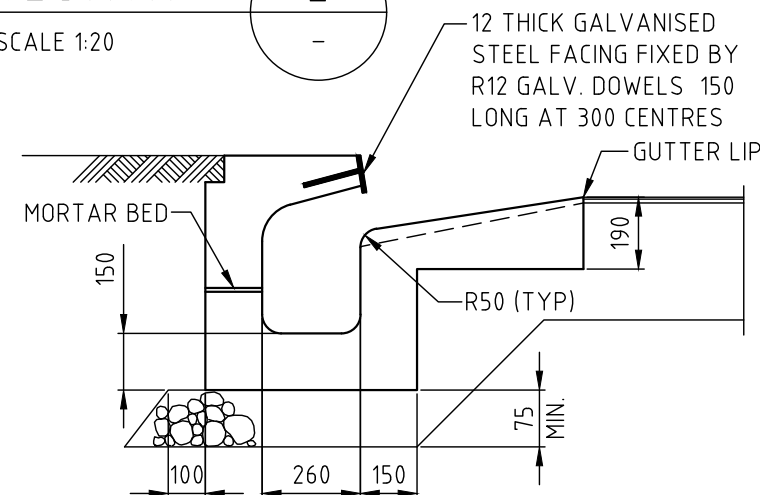
DETAIL 'A'  
SCALE 1:20



DETAIL 'B'  
SCALE 1:20



PLAN  
SCALE 1:20



SECTION 3  
SCALE 1:20

REFER DRAWING  
SD201 FOR  
STORMWATER  
PIT NOTES

	SAG PIT	
		REV. [ ] DATE: SEPT 2024
		DRAWING No. <b>SD203</b>