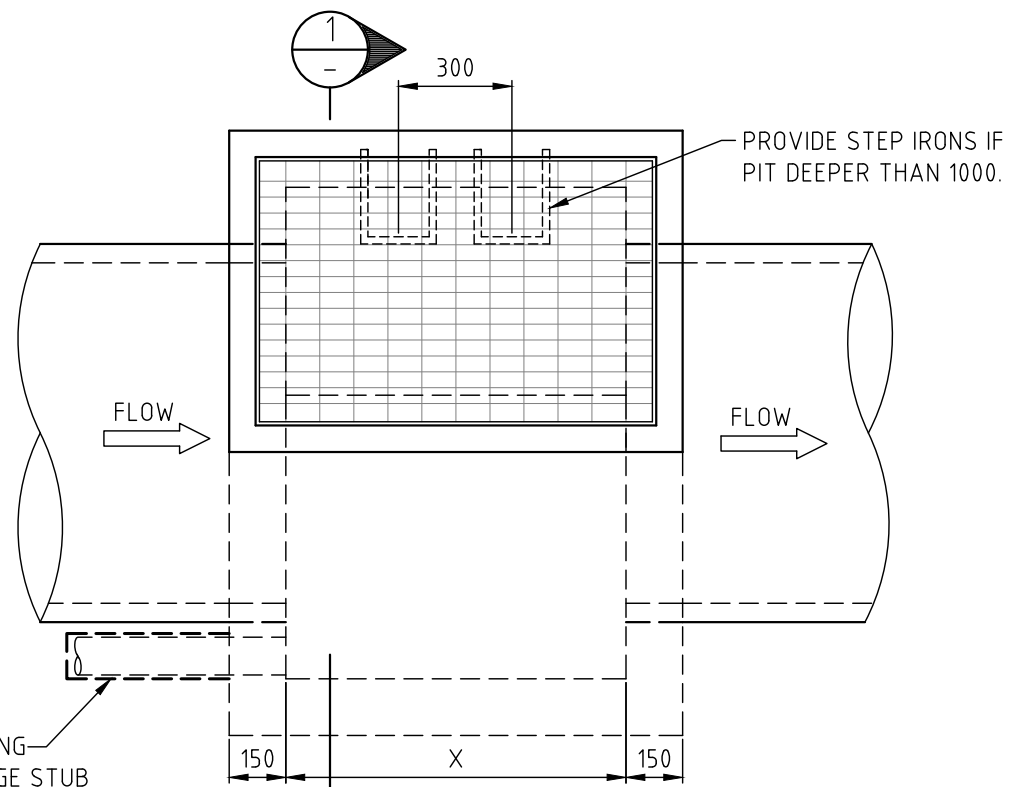
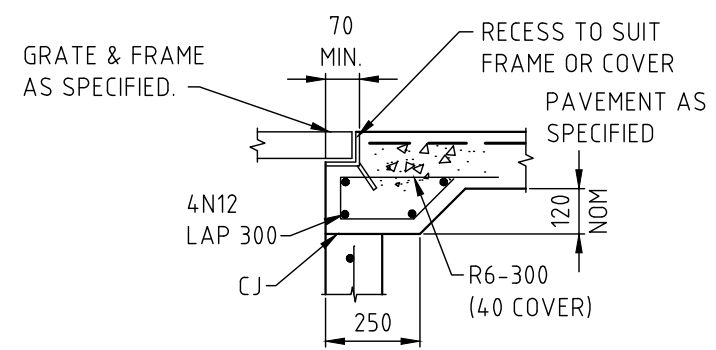


SECTION 1
SCALE 1:20

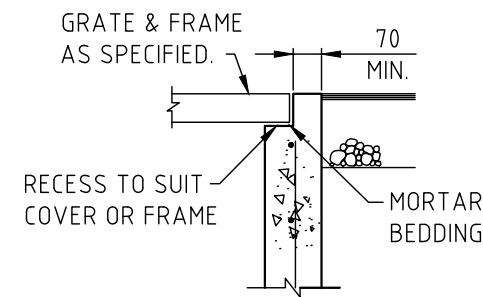


PLAN
SCALE 1:20

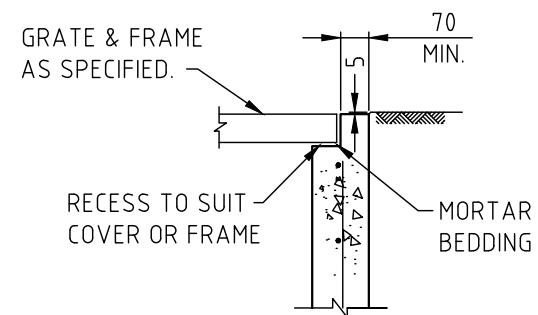
100 DIA. x 3000 LONG
SUB-SOIL DRAINAGE STUB
SURROUNDED BY NOM. 20mm
BLUE METAL AND WRAPPED IN
140g/m² GEOTEXTILE FILTER
FABRIC (TYP).



DETAIL 'A'
SCALE 1:20



DETAIL 'B'
SCALE 1:20



DETAIL 'C'
SCALE 1:20

REFER DRAWING
SD201 FOR
STORMWATER
PIT NOTES

	SURFACE INLET PIT		REV.	DRAWING No.
	<p>SCALE 1:20 @A3</p>	<p>DATE: SEPT 2024</p>	<p>SD204</p>	